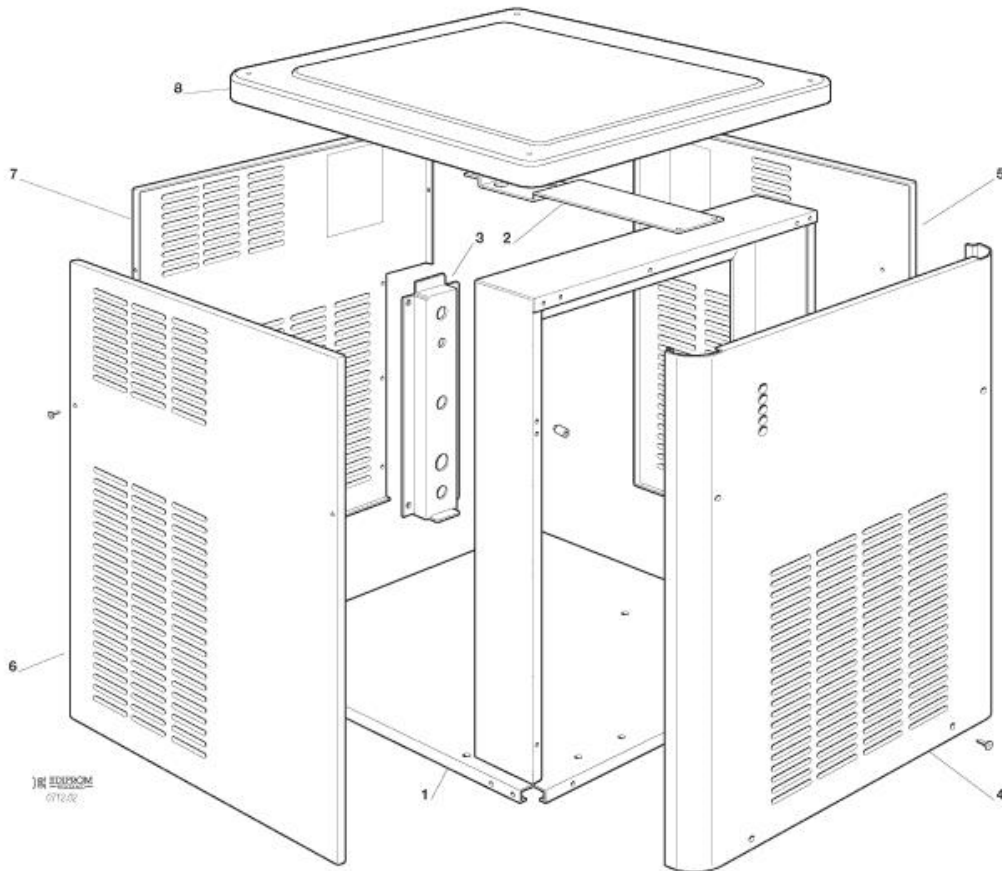
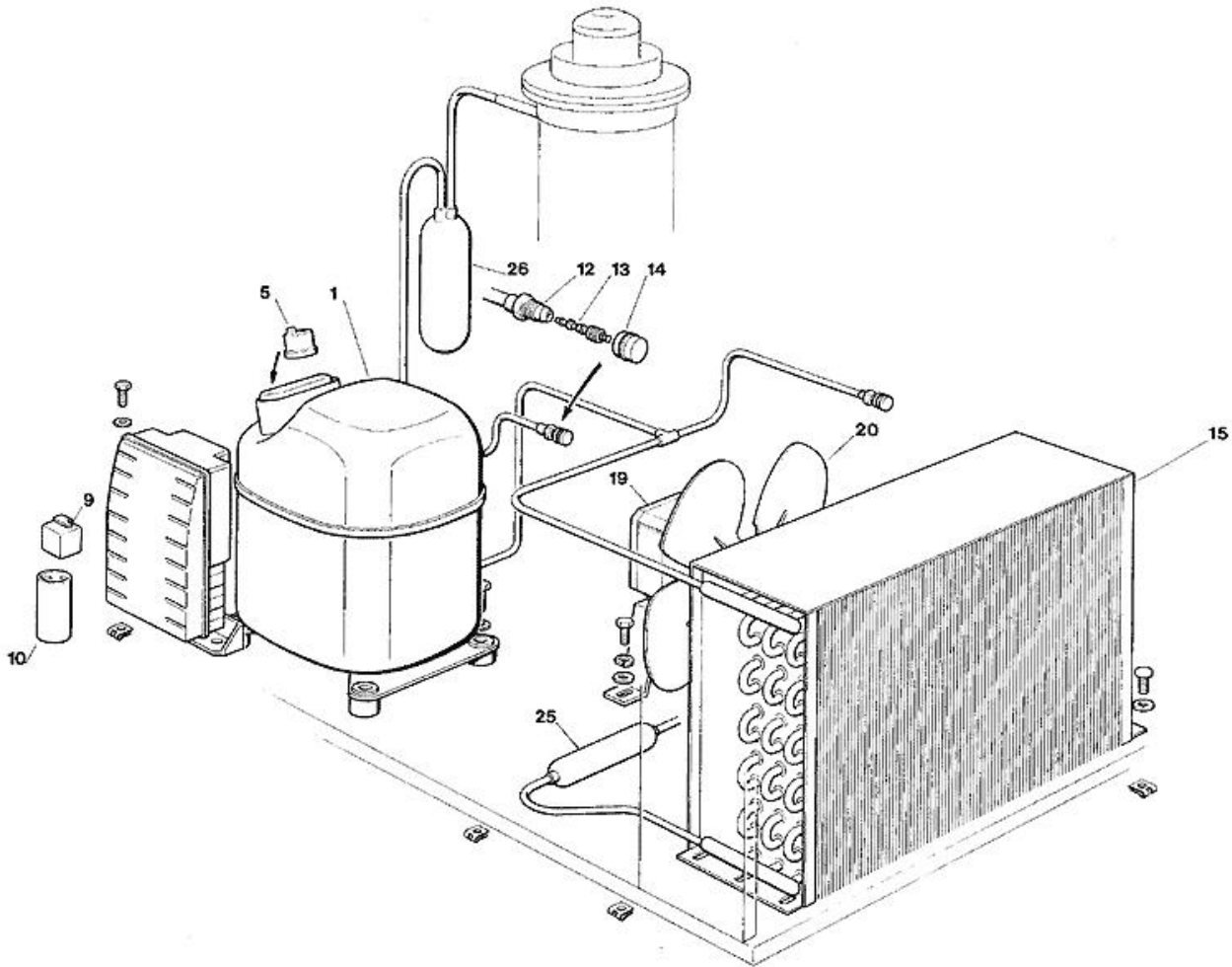


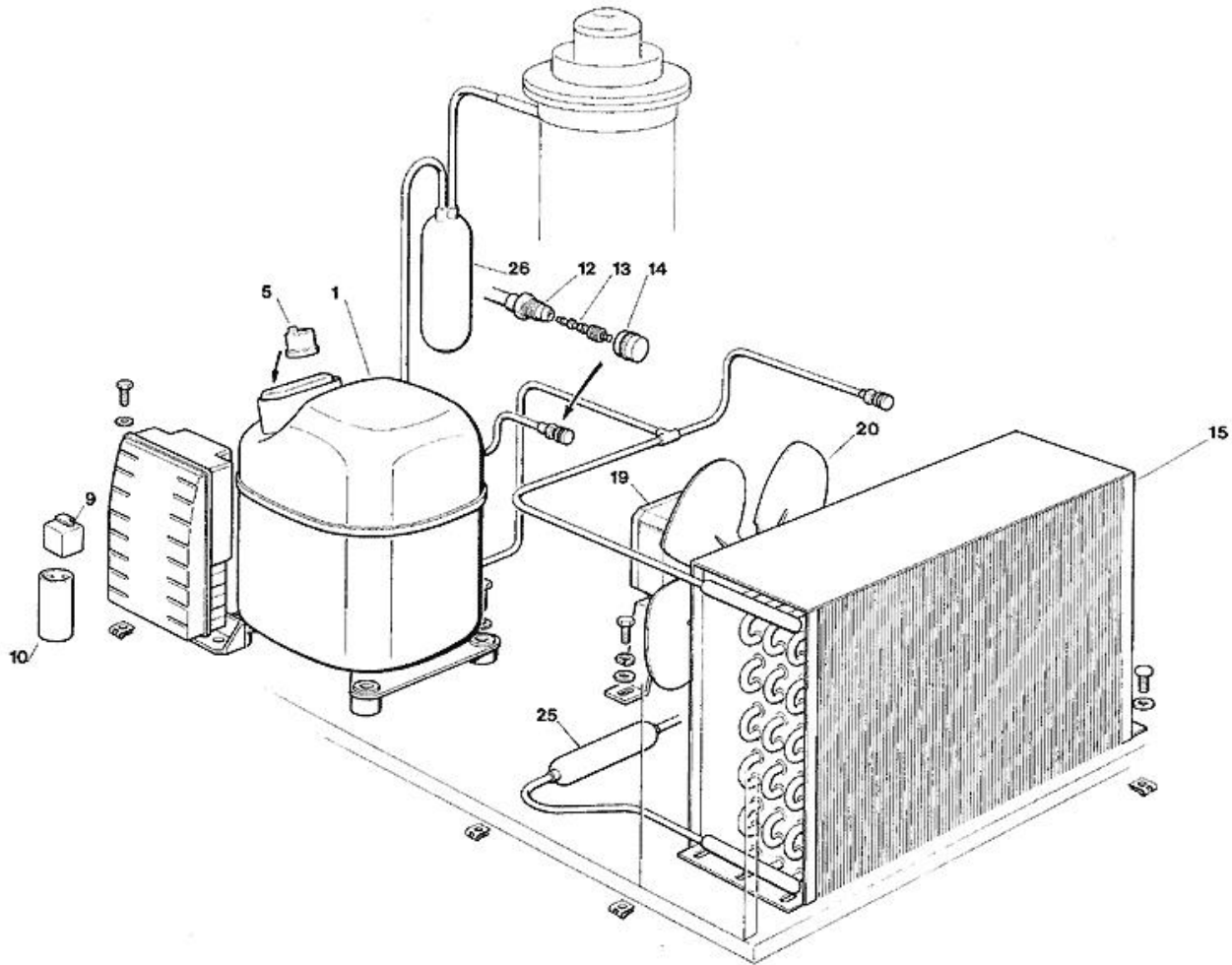
- 1 UNIT PANELS
- 2 REFRIGERANT SYSTEM - AIR COOLED - UP TO S.N. 05323
- 3 REFRIGERANT SYSTEM - AIR COOLED - FROM S.N. 05324 TO S.N. 05562
- 4 REFRIGERANT SYSTEM - AIR COOLED - FROM S.N. 05563
- 5 REFRIGERANT SYSTEM WATER COOLED - FROM S.N. 05324 TO S.N. 05562
- 6 REFRIGERANT SYSTEM WATER COOLED - FROM S.N. 05563
- 7 WATER SYSTEM AND INSULATIONS - UP TO S.N. 04864
- 8 WATER SYSTEM AND INSULATIONS - FROM S.N. 04865
- 9 FREEZER AND GEAR REDUCER ASSY - UP TO S.N. 05012
- 10 FREEZER AND GEAR REDUCER ASSY - FROM S.N. 05013
- 11 P.C. BOARD AND SENSORS ASSY - UP TO S.N. 05127
- 12 P.C. BOARD AND SENSORS ASSY - FROM S.N. 05128 TO S.N. 05565
- 13 P.C. BOARD AND SENSORS ASSY - FROM S.N. 05566



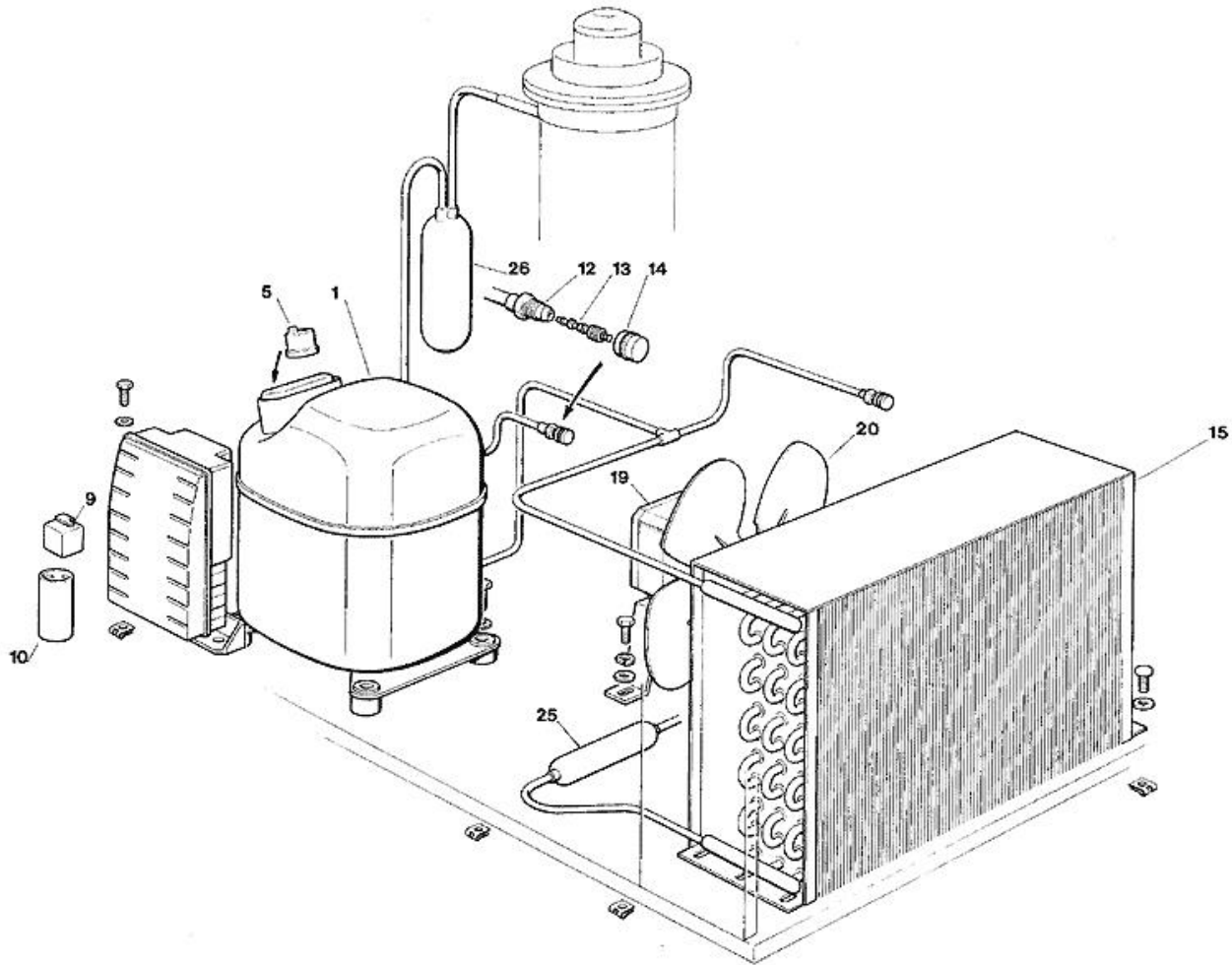
Pos	Code	Description
0001	701864 20	FRONT BRACKET
0001	781479 00	UNIT BASE
0003	702352 00	REAR BRACKET
0004	650624 04	LABEL
0004	650850 00	SCOTSMAN LOGO
0004	650905 15	MF 26 LABEL
0004	722293 00	FRONT PANEL
0005	722294 00	RIGHT SIDE PANEL
0006	722295 00	LEFT SIDE PANEL
0007	722296 00	REAR PANEL
0008	660890 00	TOP PANEL



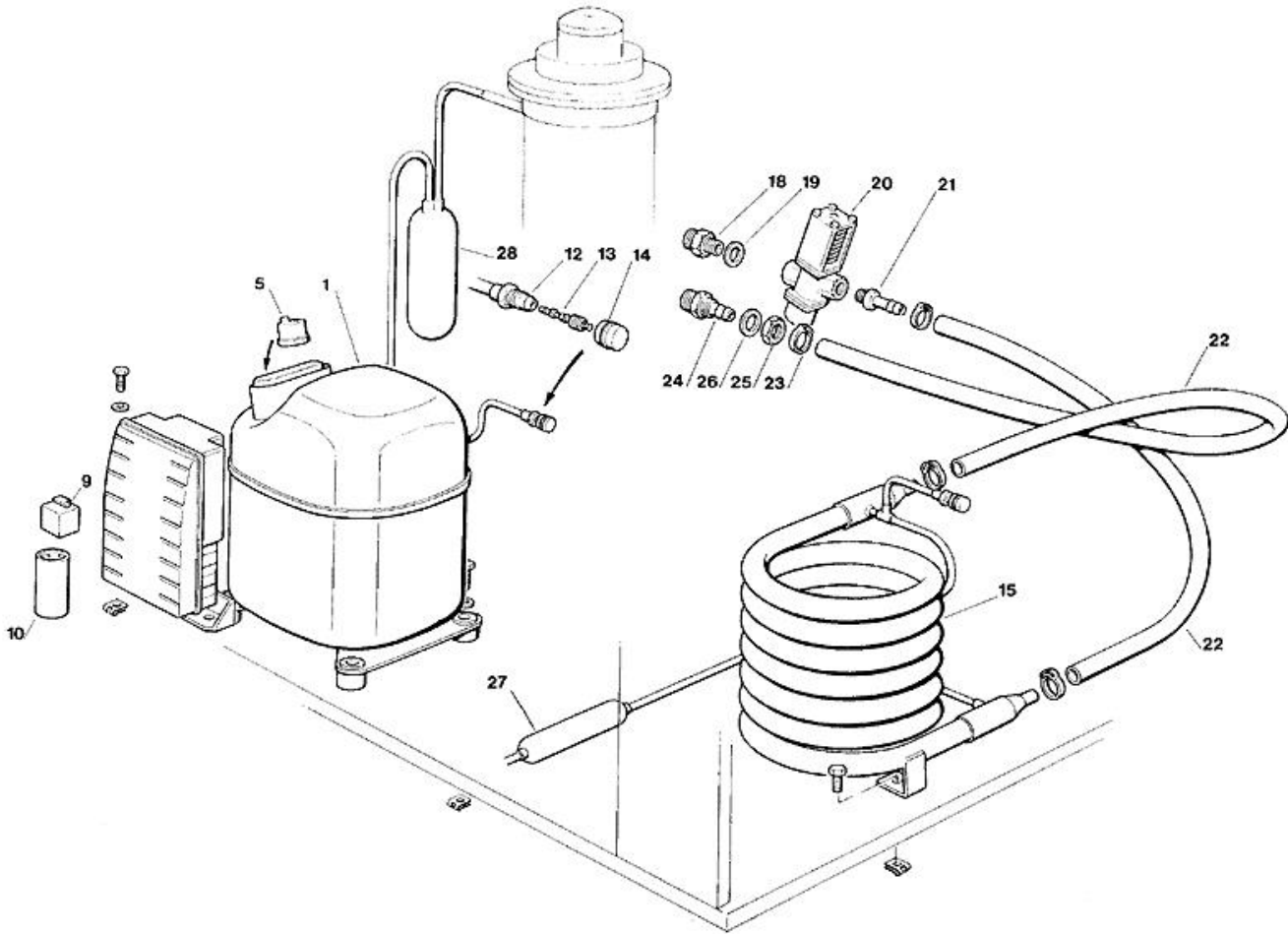
Pos	Code	Description
0001	670100 01R	COMPRESSOR - 230/50/1 - CUBIGEL GP 14 TB
0001	670100 08	COMPRESSOR CUBIGEL - 230/60/1
0001	670101 06	COMPRESSOR ASSY - 115/60
0005	620058 68	PROTECTOR 115/60
0005	CUB 102190	PROTECTOR - 230/50/1
0005	CUB 102200	PROTECTOR - 230/60/1
0009	620057 59	START RELAY - 115/60
0009	CUB 405177	RELAY - 230/50/1
0009	CUB 405178	RELAY - 230/60/1
0010	620167 55	START CAPACITOR - 115/60
0010	EMB 2252347	CAPACITOR - 230/50/1
0012	650109 00	VALVE BODY
0013	670012 00	VALVE CORE
0014	650106 00	CAP
0015	620439 00	CONDENSER
0019	620419 02	FAN MOTOR - 230/50-60
0019	620419 03	FAN MOTOR - 115/60
0020	620419 33	BLADE
0025	630003 05	DRIER
0026	784464 05R	SUCTION LINE/ACCUMULATOR



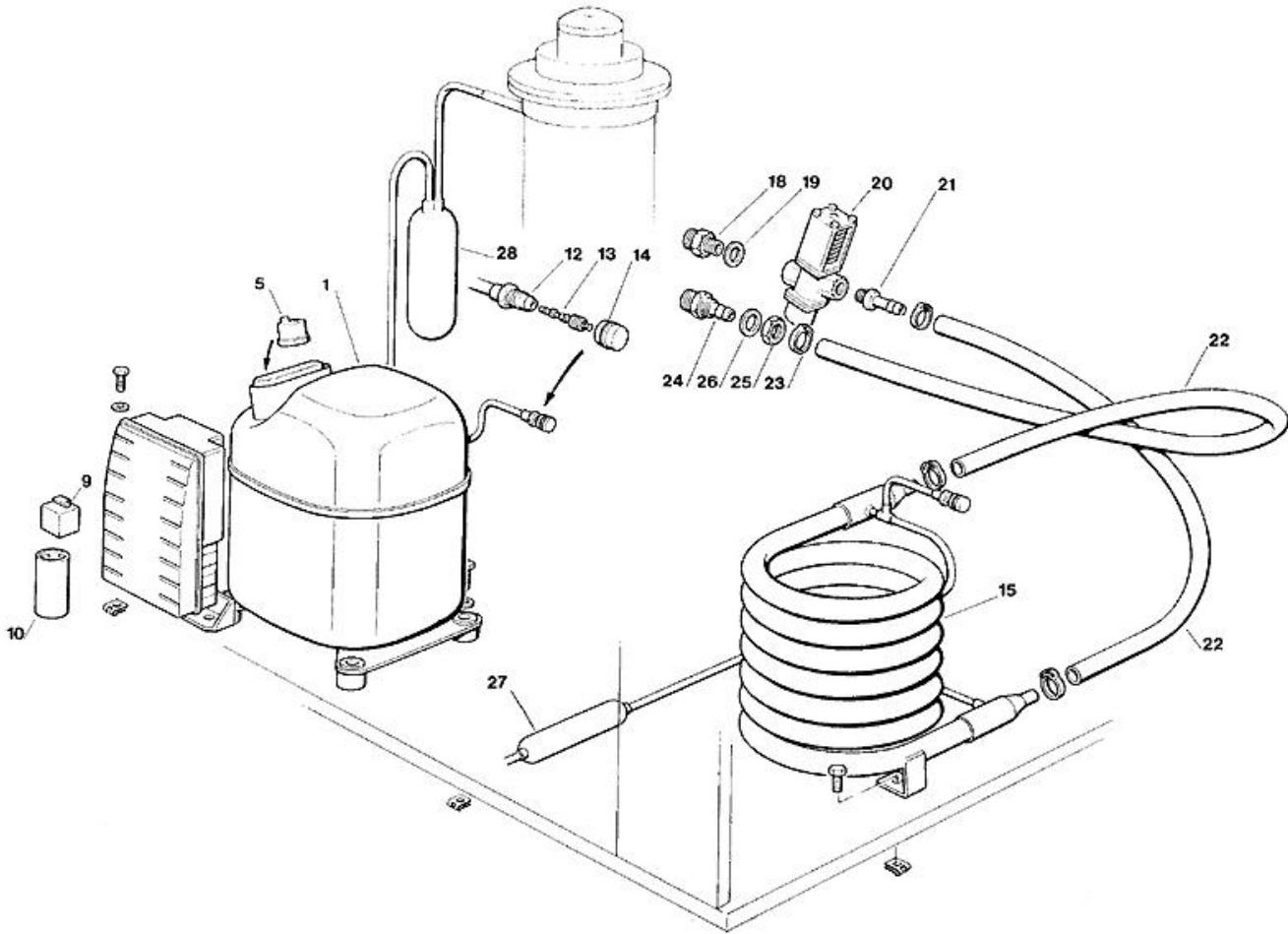
Pos	Code	Description
0001	670100 01R	COMPRESSOR - 230/50/1 - CUBIGEL GP 14 TB
0001	670100 08	COMPRESSOR CUBIGEL - 230/60/1
0001	670101 06	COMPRESSOR ASSY - 115/60
0005	620058 68	PROTECTOR 115/60
0005	CUB 102190	PROTECTOR - 230/50/1
0005	CUB 102200	PROTECTOR - 230/60/1
0009	620057 59	START RELAY - 115/60
0009	CUB 405177	RELAY - 230/50/1
0009	CUB 405178	RELAY - 230/60/1
0010	620167 55	START CAPACITOR - 115/60
0010	EMB 2252347	CAPACITOR - 230/50/1
0012	650109 00	VALVE BODY
0013	670012 00	VALVE CORE
0014	650106 00	CAP
0015	620455 00	CONDENSER
0019	620419 02	FAN MOTOR - 230/50-60
0019	620419 03	FAN MOTOR - 115/60
0020	620419 33	BLADE
0025	630003 05	DRIER
0026	784464 05R	SUCTION LINE/ACCUMULATOR



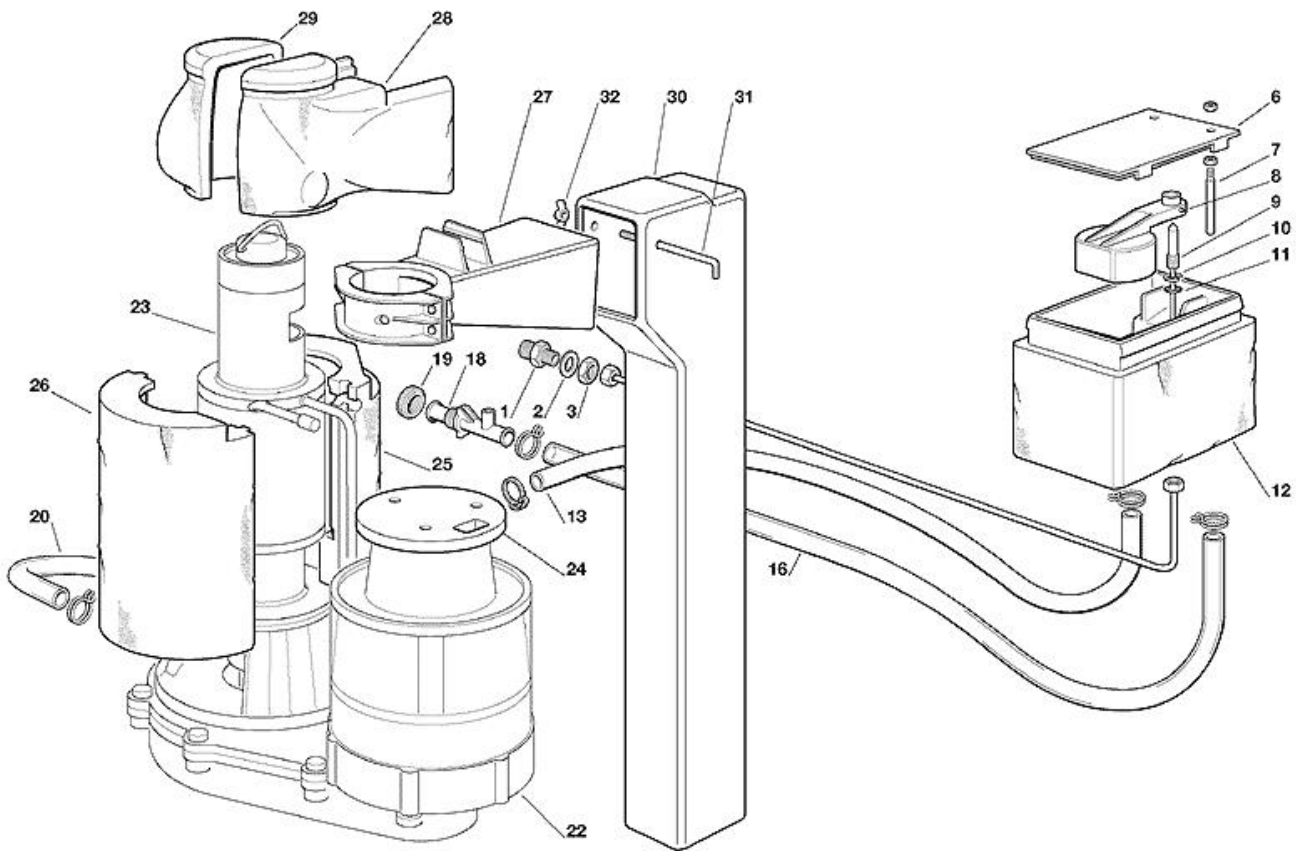
Pos	Code	Description
0001	670100 08	COMPRESSOR CUBIGEL - 230/60/1
0001	670101 06	COMPRESSOR ASSY - 115/60
0001	670105 05	COMPRESSOR - 230/50/1
0005	620058 68	PROTECTOR 115/60
0005	CUB 102200	PROTECTOR - 230/60/1
0005	EMB 2319079	PROTECTOR - 230/50/1
0009	620057 59	START RELAY - 115/60
0009	CUB 405178	RELAY - 230/60/1
0009	EMB 2334112	RELAY - MTRP0012-65
0010	620167 55	START CAPACITOR - 115/60
0010	EMB 2252345	CAPACITOR - 230/50/1
0010	EMB 2252347	CAPACITOR - 230/50/1
0012	650109 00	VALVE BODY
0013	670012 00	VALVE CORE
0014	650106 00	CAP
0015	620455 00	CONDENSER
0019	620419 02	FAN MOTOR - 230/50-60
0019	620419 03	FAN MOTOR - 115/60
0020	620419 33	BLADE
0025	630003 03	FILTER
0026	784464 05R	SUCTION LINE/ACCUMULATOR



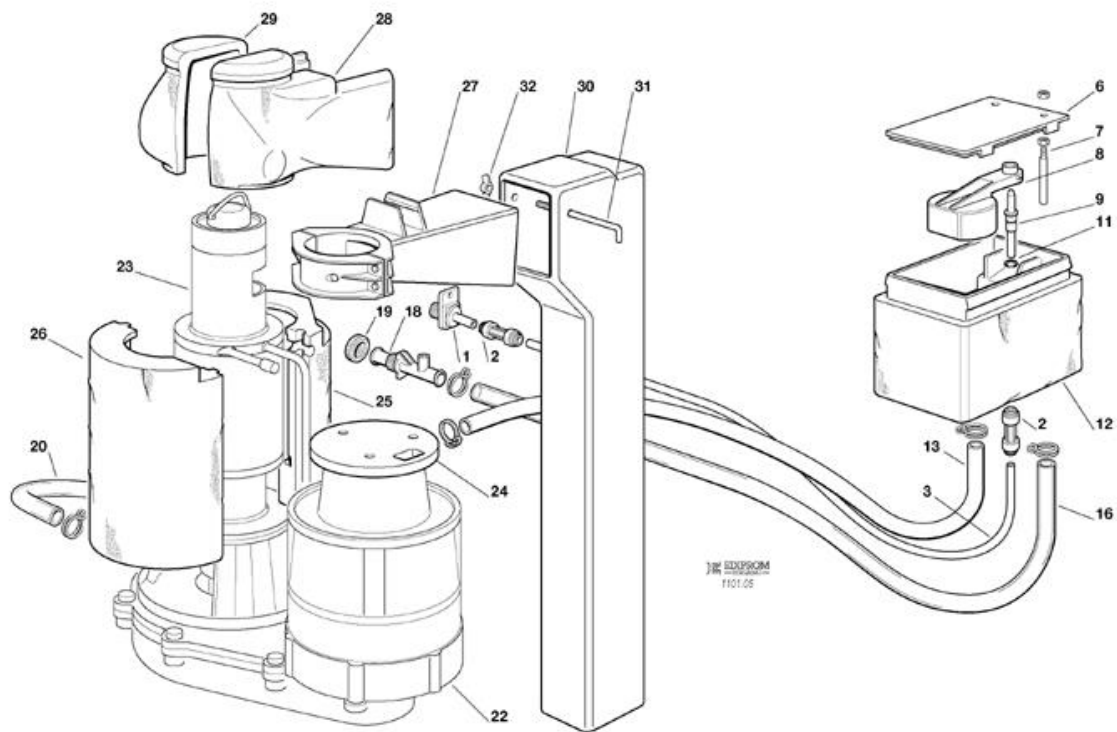
Pos	Code	Description
0001	670100 01R	COMPRESSOR - 230/50/1 - CUBIGEL GP 14 TB
0001	670100 08	COMPRESSOR CUBIGEL - 230/60/1
0001	670101 06	COMPRESSOR ASSY - 115/60
0005	620058 68	PROTECTOR 115/60
0005	CUB 102190	PROTECTOR - 230/50/1
0005	CUB 102200	PROTECTOR - 230/60/1
0009	620057 59	START RELAY - 115/60
0009	CUB 405177	RELAY - 230/50/1
0009	CUB 405178	RELAY - 230/60/1
0010	620167 55	START CAPACITOR - 115/60
0010	EMB 2252347	CAPACITOR - 230/50/1
0012	650109 00	VALVE BODY
0013	670012 00	VALVE CORE
0014	650106 00	CAP
0015	620389 00	CONDENSER
0018	733204 00	WATER INLET FITTING
0019	400031 01	WASHER
0020	620111 00	WATER REGUL. VALVE
0021	733173 01	FITTING
0022	281900 03	TUBE 18X12
0024	733174 00	FITTING
0025	400076 00	NUT
0026	400031 00	WASHER
0027	630003 05	DRIER
0028	784464 05R	SUCTION LINE/ACCUMULATOR



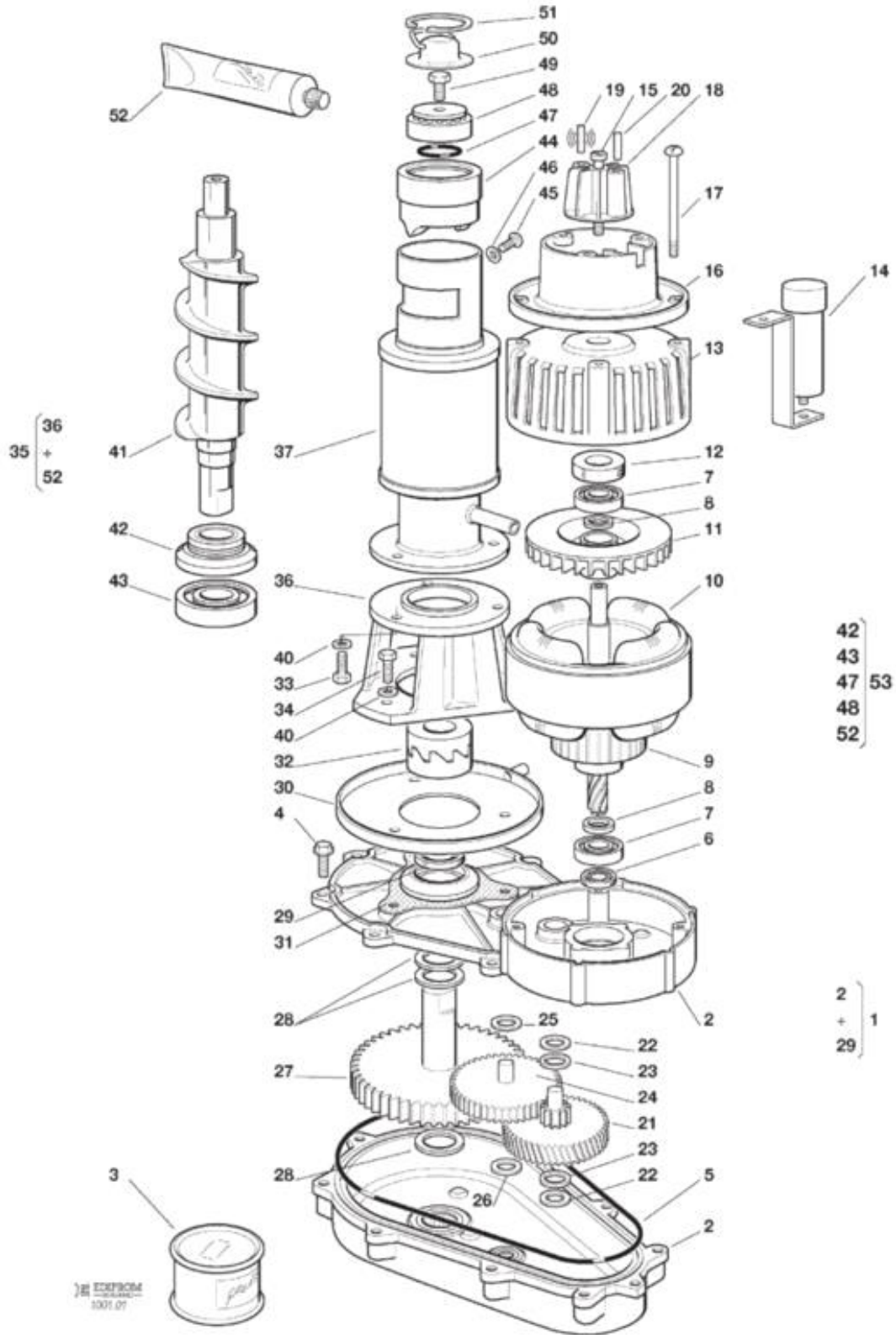
Pos	Code	Description
0001	670100 08	COMPRESSOR CUBIGEL - 230/60/1
0001	670101 06	COMPRESSOR ASSY - 115/60
0001	670105 05	COMPRESSOR - 230/50/1
0005	620058 68	PROTECTOR 115/60
0005	CUB 102200	PROTECTOR - 230/60/1
0005	EMB 2319079	PROTECTOR - 230/50/1
0009	620057 59	START RELAY - 115/60
0009	CUB 405178	RELAY - 230/60/1
0009	EMB 2334112	RELAY - MTRP0012-65
0010	620167 55	START CAPACITOR - 115/60
0010	EMB 2252345	CAPACITOR - 230/50/1
0010	EMB 2252347	CAPACITOR - 230/50/1
0012	650109 00	VALVE BODY
0013	670012 00	VALVE CORE
0014	650106 00	CAP
0015	620389 00	CONDENSER
0018	733204 00	WATER INLET FITTING
0019	400031 01	WASHER
0020	620111 00	WATER REGUL. VALVE
0021	733173 01	FITTING
0022	281900 03	TUBE 18X12
0024	733174 00	FITTING
0025	400076 00	NUT
0026	400031 00	WASHER
0027	630003 03	FILTER
0028	784464 05R	SUCTION LINE/ACCUMULATOR



Pos	Code	Description
0001	733205 00	WATER INLET FITTING
0002	400031 00	WASHER
0003	400030 01	NUT
0006	660363 00	COVER
0007	724215 06	WATER LEVEL METAL PIN
0008	660585 00	FLOAT VALVE
0009	783153 00R	WATER INLET FITTING
0010	460038 02	RETAINING CLIP
0011	640100 00	O RING
0012	793126 01	WATER RESERVOIR
0013	281822 00	PLASTIC HOSE
0016	281832 00	TUBE
0018	660224 00	TEE TUBE
0019	660535 00	PLASTIC NUT
0020	610171 02	TUBE
0022	794225 13R	GEAR REDUCER ASSY 230V
0022	794225 14R	GEAR REDUCER ASSY 115V
0023	794236 07R	FREEZER ASSY
0024	650515 02	PLASTIC COVER
0025	060551 03	KIT INSULATION, FREEZER
0026	060551 03	KIT INSULATION, FREEZER
0027	660676 03	ICE SPOUT
0028	650887 00	SPOUT INSULATION
0029	650887 00	SPOUT INSULATION
0030	660455 15	PLASTIC CHUTE
0031	724180 02	TIE ROAD
0032	430083 00	NUT

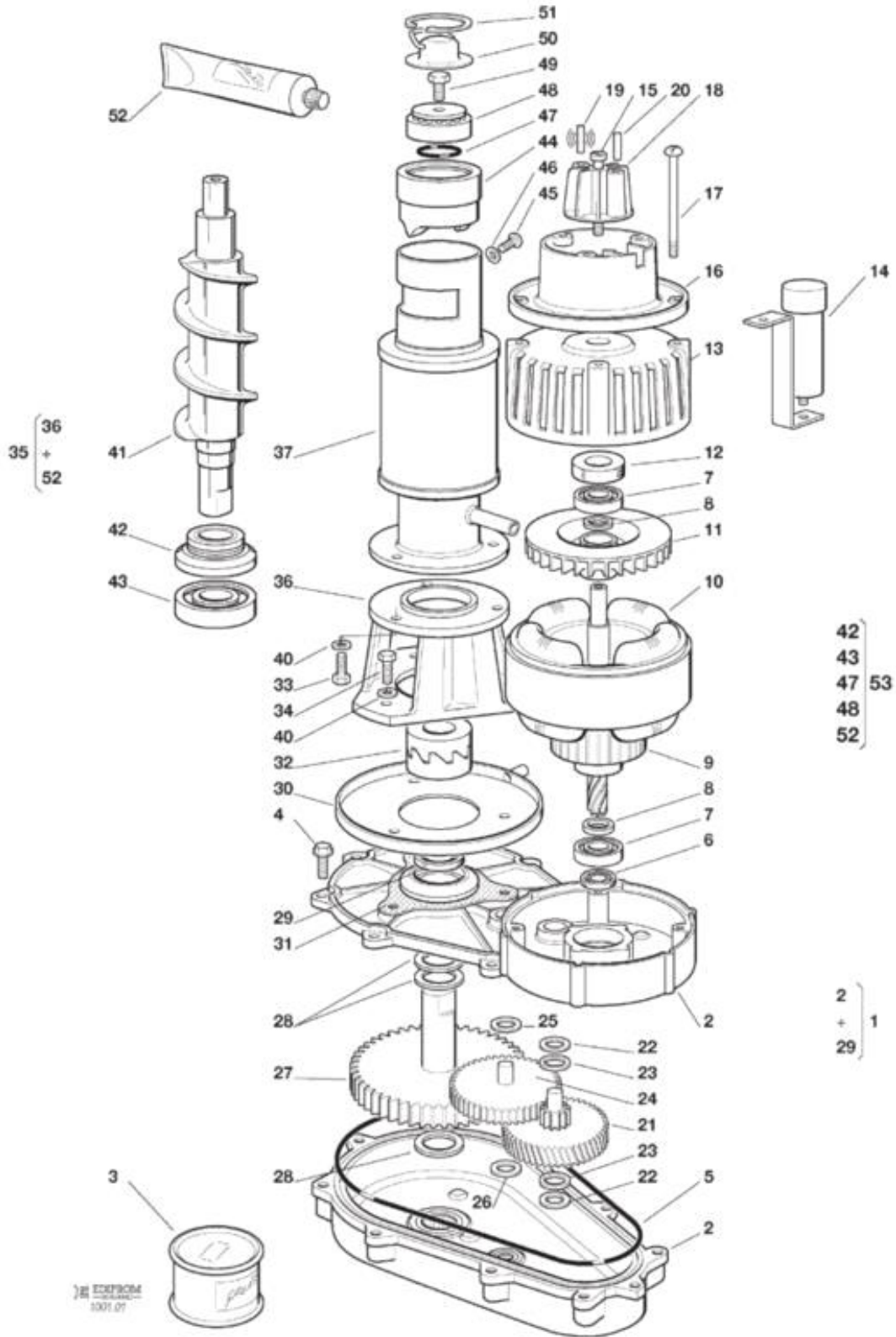


Pos	Code	Description
0001	660956 00	PLASTIC WATER INLET FITTING
0002	651224 04	WATER FITTING
0003	651206 02	POLYETHYLENE TUBE
0006	660363 00	COVER
0007	724215 06	WATER LEVEL METAL PIN
0008	660585 00	FLOAT VALVE
0009	660957 00	PLASTIC NOZZLE
0011	640100 00	O RING
0012	660352 00	INSULATION
0012	660459 00	WATER RESERVOIR ONLY
0013	281822 00	PLASTIC HOSE
0016	281832 00	TUBE
0018	660224 00	TEE TUBE
0019	660535 00	PLASTIC NUT
0020	610171 02	TUBE
0022	794225 13R	GEAR REDUCER ASSY 230V
0022	794225 14R	GEAR REDUCER ASSY 115V
0023	794236 07R	FREEZER ASSY
0024	650515 02	PLASTIC COVER
0025	060551 03	KIT INSULATION, FREEZER
0026	060551 03	KIT INSULATION, FREEZER
0027	660676 03	ICE SPOUT
0028	650887 00	SPOUT INSULATION
0029	650887 00	SPOUT INSULATION
0030	660455 15	PLASTIC CHUTE
0031	724180 02	TIE ROAD
0032	430083 00	NUT



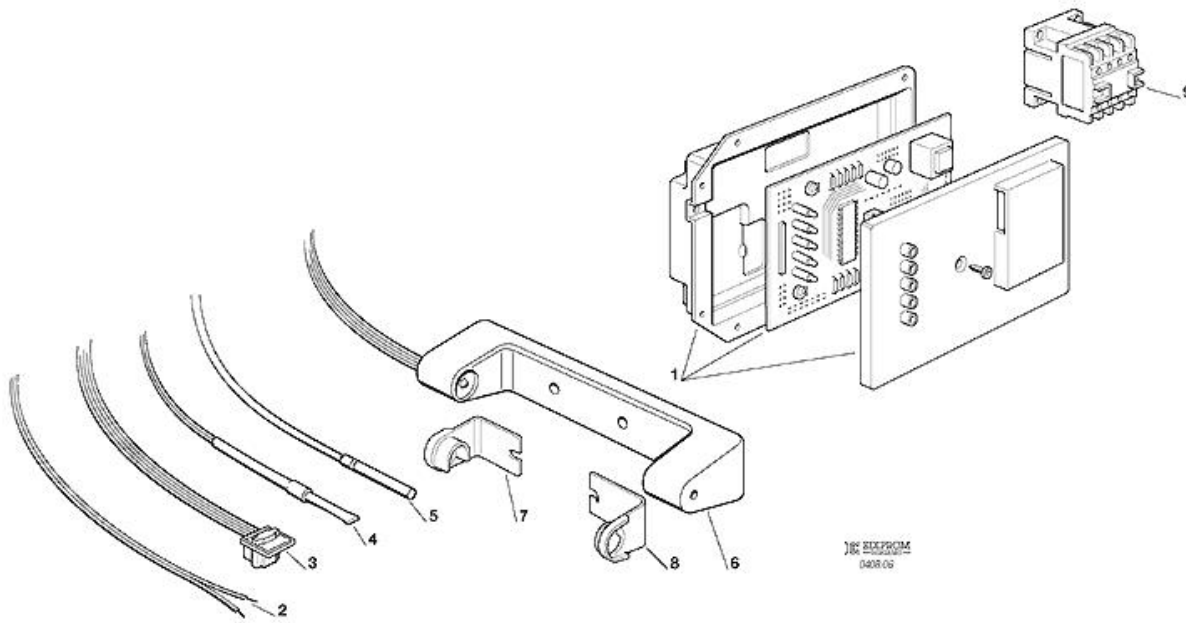
Pos	Code	Description
0001	794225 13R	GEAR REDUCER ASSY 230V
0002	001015 01	GEAR CASE KIT
0003	060294 04	
0004	03001251 00	SCREW 5/16-18x1
0004	429852 00	SCREW M6x20
0005	640084 00	O RING
0006	640083 00	GREASE SEAL
0007	651056 00	BEARING
0008	441800 09	SPECIAL WASHER
0009	794123 03R	ROTOR ASSY
0010	620394 00	STATOR 230V
0010	620394 01	STATOR 115V
0011	764001 01	BLADE
0012	640095 00	RUBBER INSERT
0013	794226 01R	DRIVE MOTOR COVER
0014	620520 00	CAPACITOR - 12,5 MFD
0014	620520 03	CAPACITOR - 4 MFD
0015	03001403 77	SCREW
0016	650515 01	MOTOR COVER
0017	423872 02	SCREW
0018	784476 00	MAGNETO ASSY
0019	784476 00	MAGNETO ASSY
0020	784476 00	MAGNETO ASSY
0021	651160 00	GEAR
0022	441800 05	WASHER
0023	441800 06	WASHER
0024	651161 00	GEAR AND PINION
0025	441800 08	WASHER
0026	441800 07	WASHER
0027	651162 01	3RD GEAR & PINION
0028	03001408 04	WASHER
0028	441808 00	WASHER
0029	640019 01	GASKET SMIM 2232/5.5
0030	660756 00	DRIP PAN
0031	640060 00	GASKET
0032	060359 00	KIT COUPLING AF
0033	03001405 38	SCREW 5/16 X 3/4"
0033	420019 00	SCREW
0034	420019 00	SCREW
0035	794236 07R	FREEZER ASSY
0036	764010 00	FREEZER BRACKET
0037	060705 00	WORM TUBE KIT
0041	724052 07	AUGER AF 20
0042	640040 00	WATER SEAL (02001300 21)
0043	670011 01	BEARING

Pos	Code	Description
0044	060720 00	ICE BREAKER ASSY
0045	420285 05	SCREW
0047	640041 01	O RING
0048	060720 00	ICE BREAKER ASSY
0049	420030 00	SCREW
0050	734105 00	CAP WORM
0051	650297 00	SNAP RING
0052	263612 00	GREASE
0053	001028 07R	KIT BEARING + SEAL AF

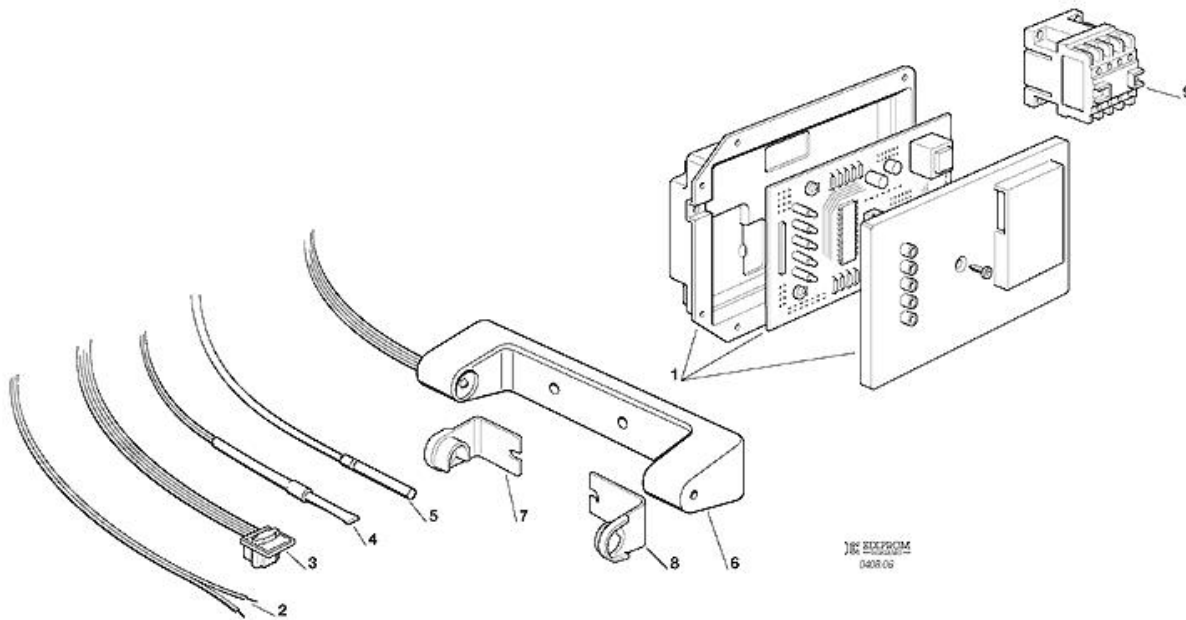


Pos	Code	Description
0001	794225 13R	GEAR REDUCER ASSY 230V
0002	001015 01	GEAR CASE KIT
0003	060294 04	
0004	03001251 00	SCREW 5/16-18x1
0004	429852 00	SCREW M6x20
0005	640084 00	O RING
0006	640083 00	GREASE SEAL
0007	651056 00	BEARING
0008	441800 09	SPECIAL WASHER
0009	794123 03R	ROTOR ASSY
0010	620521 00	STATOR - 230V
0010	620521 01	STATOR - 115V
0011	764001 01	BLADE
0012	640095 00	RUBBER INSERT
0013	794226 01R	DRIVE MOTOR COVER
0014	620520 00	CAPACITOR - 12,5 MFD
0014	620520 03	CAPACITOR - 4 MFD
0015	03001403 77	SCREW
0016	650515 01	MOTOR COVER
0017	423872 02	SCREW
0018	784476 00	MAGNETO ASSY
0019	784476 00	MAGNETO ASSY
0020	784476 00	MAGNETO ASSY
0021	651160 00	GEAR
0022	441800 05	WASHER
0023	441800 06	WASHER
0024	651161 00	GEAR AND PINION
0025	441800 08	WASHER
0026	441800 07	WASHER
0027	651162 01	3RD GEAR & PINION
0028	03001408 04	WASHER
0028	441808 00	WASHER
0029	640019 01	GASKET SMIM 2232/5.5
0030	660756 00	DRIP PAN
0031	640060 00	GASKET
0032	060359 00	KIT COUPLING AF
0033	03001405 38	SCREW 5/16 X 3/4"
0033	420019 00	SCREW
0034	420019 00	SCREW
0035	794236 07R	FREEZER ASSY
0036	764010 00	FREEZER BRACKET
0037	060705 00	WORM TUBE KIT
0041	724052 07	AUGER AF 20
0042	640040 00	WATER SEAL (02001300 21)
0043	670011 01	BEARING

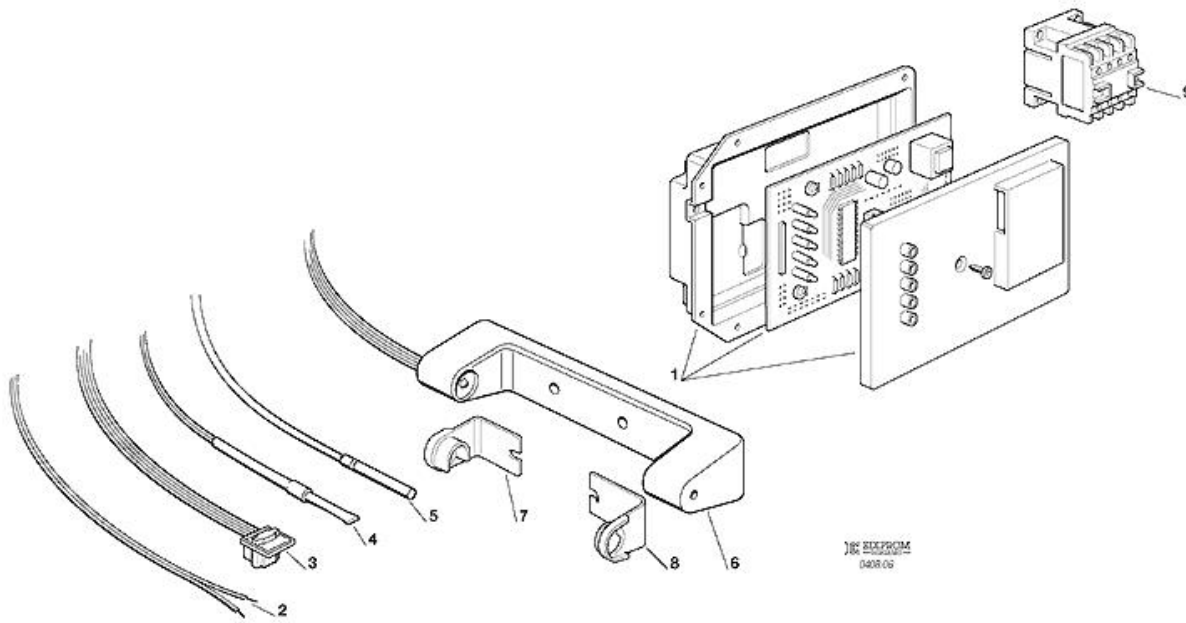
Pos	Code	Description
0044	060720 00	ICE BREAKER ASSY
0045	420285 05	SCREW
0047	640041 01	O RING
0048	060720 00	ICE BREAKER ASSY
0049	420030 00	SCREW
0050	734105 00	CAP WORM
0051	650297 00	SNAP RING
0052	263612 00	GREASE
0053	001028 07R	KIT BEARING + SEAL AF



Pos	Code	Description
0001	060711 10	PC BOARD KIT
0001	620462 03	PC BOARD, 115V
0002	620404 13	WATER LEVEL SENSOR
0003	620404 03	HALL SENSOR
0004	620404 11	CONDENSER SENSOR
0005	620404 10	EVAPORATOR SENSOR
0006	650674 01	ICE LEVEL CTL.
0007	660720 00	PLASTIC COVER
0008	660720 01	PLASTIC COVER
0009	630119 04	CONTACTOR 115V



Pos	Code	Description
0001	620462 03	PC BOARD, 115V
0001	620462 13	PC BOARD
0002	620519 02	WATER LEVEL SENSOR
0003	620404 03	HALL SENSOR
0004	620519 04	CONDENSER SENSOR
0005	620519 01	EVAPORATOR SENSOR
0006	650674 01	ICE LEVEL CTL.
0007	660720 00	PLASTIC COVER
0008	660720 01	PLASTIC COVER
0009	630119 04	CONTACTOR 115V



Pos	Code	Description
0001	620462 15	PC BOARD
0001	620462 16	PC BOARD, 115V
0001	630015 15	FUSIBLE - T6.4A-250V
0002	620519 02	WATER LEVEL SENSOR
0003	620404 03	HALL SENSOR
0004	620519 04	CONDENSER SENSOR
0005	620519 01	EVAPORATOR SENSOR
0006	650674 01	ICE LEVEL CTL.
0007	660720 00	PLASTIC COVER
0008	660720 01	PLASTIC COVER
0009	630119 04	CONTACTOR 115V