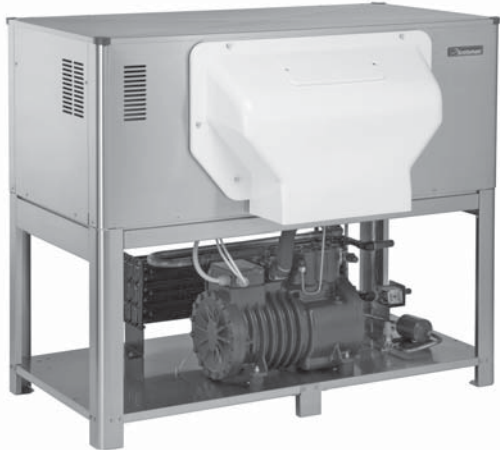


Other models in this range:
 MAR 56 - MAR 76 - MAR 106
 MAR 126 - MAR 306
 Split versions:
 MAR 78 - MAR 128 - MAR 208
 MAR 308

Scale Ice Maker Units up to 1850 Kg



ABS Ice Chute Cover: sold separately.



Gear box protection (hall effect)



Easy to remove water sump



Pulleys & belt system allows to modify ice thickness



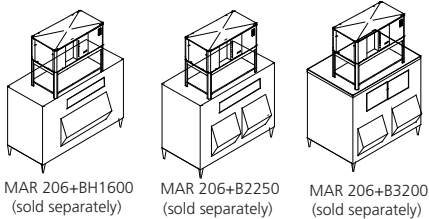
Features

- Modular scale ice machine, production up to 1850 Kg in 24h (@ 1 mm. ice thickness)
- Scale ice machine, in "compact system" version; built-in unit
- Storage bin not supplied, to be purchased separately
- AISI304 Stainless steel evaporator and ice scraper blade
- Redesigned evaporator compartment end-walls: polypropilene high density with "core" metal structure, adding sturdiness and hygiene
- Foodgrade ABS plastic water sump tray, easy remove for cleaning and sanitising
- Electromechanical control panel
- Electrical protections, rotation speed & reverse phase controls
- Low- water sensor protection
- Hermetic compressor
- Choice of air or, water cooled condenser
- Drive motor / gear reducer with V-Belt drive
- Storage bin thermostatic ice level sensor
- Stainless steel panels in scotch-brite finish, with rounded corners, easy to remove for maintenance

Accessories & Optional Features (to be specified upon order):

- Ice spout cover (COVERMARL0000)
- Ice chute extension 90cm (KICMAREXT0001)
- Double ice chute 65cm (KICMARDOUBL02)
- Infrared ice sensor (replaces the thermostatic ice level control) ICE SENSOR0003
- UV lamp water sanitising system for bacterial control (KITUVLAMPMAR0)
- ON/OFF manual switch, with daily timer (KITTIMER0001)
- ON/OFF manual switch, with weekly programmable timer (KITTIMERSET01)

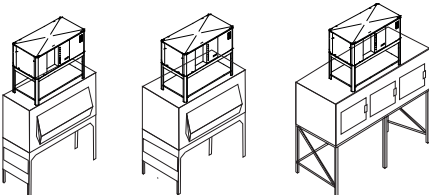
MAR 206 Technologies



MAR 206+BH1600 (sold separately)

MAR 206+B2250 (sold separately)

MAR 206+B3200 (sold separately)



MAR 206+ITS2250 (sold separately)

MAR 206+ITS3250 (sold separately)

MAR 206+ICS 3 - ICS 3 SL (sold separately)

| | | | [kg] [lbs] [kg] [lbs] [kg] [lbs] | | | | |
|--------------|--|-----------|----------------------------------|-----------|-----------------------------|--------------------------------|--|
| | | | [WxDxH mm] 1326x853x1125 | | | | |
| MAR206 AS | | 1570 3461 | 1700 3748 | 2291 5051 | 52 3/16 x 33 9/16 x 44 5/16 | [v/Hz/ph] 400/50/3N R 404 A | |
| MAR206 WS | | 1650 3638 | 1850 4079 | 2393 5276 | | | |
| MAR206 WS-SW | | 1650 3638 | 1850 4079 | 2393 5276 | | | |

This product qualifies for the following listings:



2 Years Warranty

Subject to certain limitations and exclusions



Humidity 2%

Ice scales are the coldest form of ice. Formed at -6° to -12°Celsius, they are very dry, containing less than 2% residual water. Scales look like fragments of glass, have an irregular shape and a thickness that can be adjusted at 1 or 2 mm.

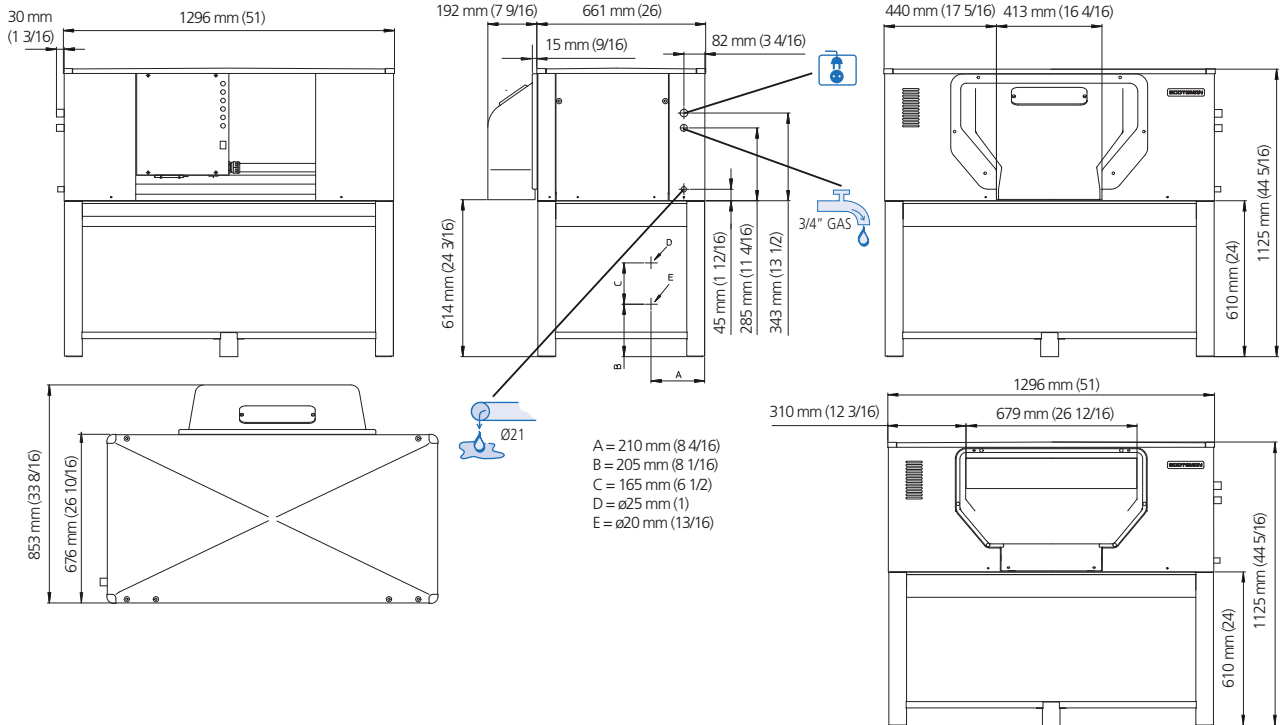
Certified ISO 9001:2000

www.scotsman-ice.it
www.scotsman-ice.com

Models and specifications are subject to change without notice.

Other models in this range:
 MAR 56 - MAR 76 - MAR 106
 MAR 126 - MAR 306
 Split versions:
 MAR 78 - MAR 128 - MAR 208
 MAR 308

Scale Ice Maker Units up to 1850 Kg



MAR 206 AS

| °C / °F | 50° / 10° | 60° / 15° | 70° / 21° | 90° / 32° | |
|-----------|-------------|-------------|-------------|-------------|----------|
| 10° / 50° | 1570 / 3461 | 1480 / 3236 | 1390 / 3064 | 1210 / 2668 | kg / lbs |
| 21° / 70° | 1540 / 3395 | 1450 / 3197 | 1360 / 2998 | 1180 / 2601 | kg / lbs |
| 32° / 90° | 1480 / 3263 | 1390 / 3064 | 1300 / 2866 | 1120 / 2469 | kg / lbs |
| 38° / 100 | 1460 / 3219 | 1370 / 3020 | 1280 / 2822 | 1100 / 2425 | kg / lbs |



WITH THICK ICE SETTINGS

MAR 206 WS

| °C / °F | 50° / 10° | 60° / 15° | 70° / 21° | 90° / 32° | |
|-----------|-------------|-------------|-------------|-------------|----------|
| 10° / 50° | 1650 / 3638 | 1600 / 3527 | 1500 / 3307 | 1300 / 2866 | kg / lbs |



WITH THICK ICE SETTINGS



Minimum

10°C (50°F)

5°C (41°F)

-10%

1 BAR
14 psi

Maximum

40°C (104°F)

35°C (95°F)

+10%

5 BAR
70 psi

| | [W] [Btu/h] | [Ø mm²] [AWG] | [W] FUSE | [kWh] - 100 Kg | [Wh] [gal/h] | [kg] [lbs] | [kg] [lbs] |
|----------------|-----------------|-------------------|--------------|--------------------|------------------|----------------|----------------|
| MAR206 AS | 7100 24200 | 5x2,5 AWG13 | 7000 24 A | 13,1 | 54 14,3 | 387 858 | 374 825 |
| MAR206 WS | 7100 24200 | 5x2,5 AWG13 | 6000 24 A | 9,6 | 1200 317 | 347 765 | 369 814 |
| MAR 206 WS-SW* | 7100 24200 | 5x2,5 AWG13 | 6000 24 A | 9,6 | 1200 317 | 347 765 | 369 814 |

*SW seawater version: made of AISI stainless steel with antispash; without heat exchanger, solenoid valve, KVP valve and electrical panel.

CONTACT POINTS:

Europe
 Scotsman Europe-Frimont S.p.A.
 Via Puccini, 22
 20010 Pogliano (Milano) Italy
 Ph: (+39) 02-93960208
 Fax: (+39) 02-93960201
 scotsman.europe@frimont.it

Asia and Pacific
 Scotsman Ice Systems-Frimont S.p.A. (R.O.)
 627A Aljunied Road-#04-04 Biztech Centre
 Singapore 389842
 Ph: (+65) 6738 5393
 Fax: (+65) 6738 1959
 scotsice@singnet.com.sg

China
 Scotsman Ice Systems (Shanghai)
 Room 2503, Building 2
 20 Xuhong Middle Road, Xuhui District
 Shanghai China 200235
 Main line: (+86) 21 61313200
 Fax: (+86) 21 61313330
 scotsman.shanghai@scotsman-china.com

Middle East & N. Africa
 Scotsman Ice Systems Dubai Office
 P.o. Box 21648
 Sharjah - U.A.E.
 Ph: (+97) 16-5773-164
 Fax (+97) 16-5773-165
 scotsman@eim.ae

South Africa
 Scotsman Ice Systems SA (PTY) Ltd.
 10, Rhodes Street - Kensington B
 P.o. Box 44 - Riverclub 2149
 Ph: (+27) 11-7898400
 Fax (+27) 11-7898411
 scotsman@telkomsa.net

USA, Canada, Latin America
 Scotsman Ice Systems USA
 775 Corporate Woods Parkway
 Vernon Hills, IL 60061
 Ph: (+1) 847 215-4550
 Fax (+1) 847 913-9844
 customer.service@scotsman-ice.com