

<-9°C / <-16°F



Ice thickness
1,8-2,2 mm



**Scale Ice
Makers Units**

**Unité de
Production
de Glace
en Ecailles**

**Scherbeneis
Produktions-
einheit**

**Fabricador
de Hielo
en Escamas**

**Unità di
Produzione
Ghiaccio
in scaglie**

Fresh Water	Sea Water	24h		Ambient T. +25°C (77°F) Water T. +15°C (59°F)		Ambient T. +32°C (90°F) Water T. +21°C (70°F)				
		[kg]	[lbs]	[kg]	[lbs]	[v/Hz/ph]	[WxDxH cm]			
EVE 200 AS	EVE 200 AS SW	1.900	4.188	1.600	3.530	400/50Hz/3ph 230/60Hz/3ph	200x160x115	78 3/4" x 63" x 45 1/4"	R404a or R22	
EVE 300 AS	EVE 300 AS SW	2.900	6.392	2.300	5.070	400/50Hz/3ph 230/60Hz/3ph	200x160x130	78 3/4" x 63" x 51 1/8"	R404a or R22	
EVE 400 AS	EVE 400 AS SW	3.900	8.596	3.500	7.720	400/50Hz/3ph 230/60Hz/3ph	200x160x155	78 3/4" x 63" x 61"	R404a or R22	
EVE 650 AS	EVE 650 AS SW	6.200	13.665	5.800	12.790	400/50Hz/3ph 230/60Hz/3ph	260x180x170	102 3/8" x 70 7/8" x 66 7/8"	R404a or R22	
EVE 800 AS	EVE 800 AS SW	7.650	16.861	7.500	16.530	400/50Hz/3ph 230/60Hz/3ph	260x180x190	102 3/8" x 70 7/8" x 74 3/4"	R404a or R22	
EVE 1000 AS	EVE 1000 AS SW	9.800	21.599	9.000	19.840	400/50Hz/3ph 230/60Hz/3ph	460x195x225	181 1/8" x 76 3/4" x 88 5/8"	R404a/R22/R717	
EVE 1300 AS	EVE 1300 AS SW	12.500	27.550	11.000	24.250	400/50Hz/3ph 230/60Hz/3ph	460x195x225	181 1/8" x 76 3/4" x 88 5/8"	R404a/R22/R717	
EVE 1500 AS	EVE 1500 AS SW	15.000	33.060	13.500	29.760	400/50Hz/3ph 230/60Hz/3ph	460x195x241	181 1/8" x 76 3/4" x 94 7/8"	R404a/R22/R717	
EVE 2400 AS	EVE 2400 AS SW	23.000	50.692	21.000	46.290	400/50Hz/3ph 230/60Hz/3ph	on request	-	R404a/R22/R717	

1

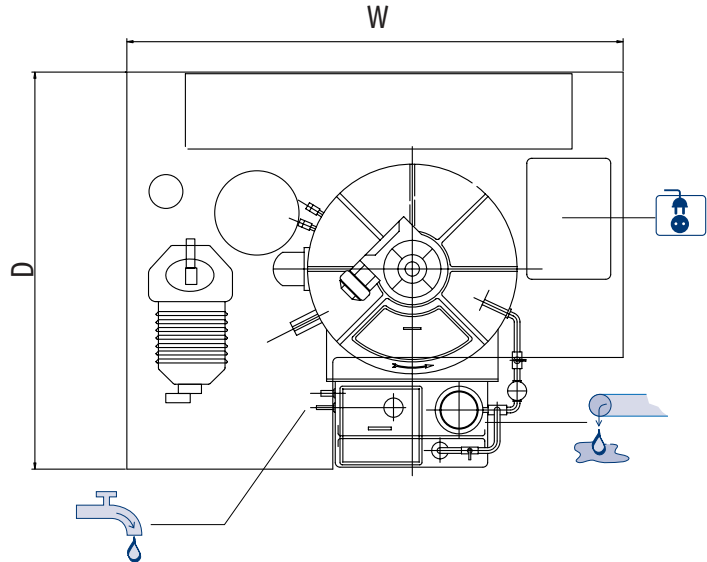
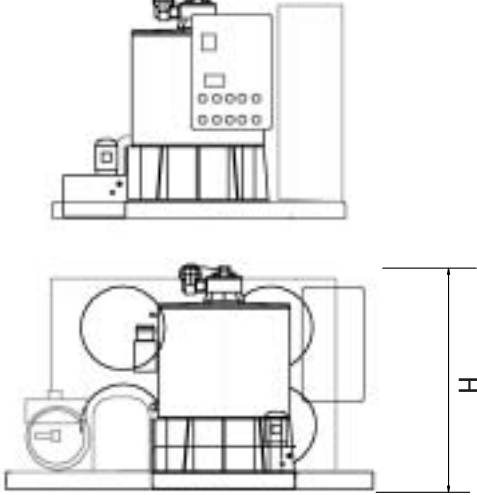
**Years Warranty
Ans de Garantie
Jahre Garantie
Años de Garantía
Anni di Garanzia**

Subject to certain limitations and exclusions
Assujettie aux limites et exclusions prescrites
Abhängig von Bestimmten Einschränkungen und Ausnahmen
Sujeta a algunas limitaciones y exclusiones
Soggetta ad alcune limitazioni ed esclusioni

**CE
0035**

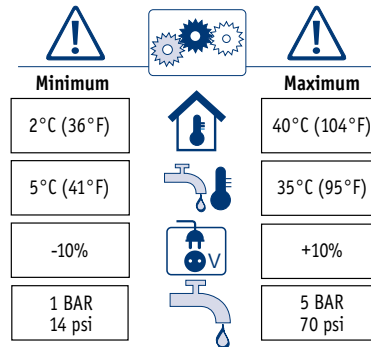
This product qualifies for the following listings:





Fresh Water	Sea Water	Electrical Power KW	Ice Outlet (ø mm)	Inlet Water	Overflow	MOTOR ICE SCRAPER [KW]	MOTOR PUMP [Kw]	[kg]	[lbs]	[kg]	[lbs]
EVE 200 AS	EVE 200 AS SW	8,00	335	3/8" gas	3/8" gas	0,25	0,20	780	1.719	t.b.a.	
EVE 300 AS	EVE 300 AS SW	10,00	335	3/8" gas	3/8" gas	0,25	0,20	800	1.763	t.b.a.	
EVE 400 AS	EVE 400 AS SW	20,00	335	3/8" gas	3/8" gas	0,25	0,20	1.150	2.535	t.b.a.	
EVE 650 AS	EVE 650 AS SW	30,00	540	1/2" gas	3/8" gas	0,37	0,20	2.000	4.408	t.b.a.	
EVE 800 AS	EVE 800 AS SW	40,00	540	1/2" gas	3/8" gas	0,37	0,20	2.200	4.849	t.b.a.	
EVE 1000 AS	EVE 1000 AS SW	38,00 (*)	655	3/4" gas	3/8" gas	0,55	0,20	2.950	6.502	t.b.a.	
EVE 1300 AS	EVE 1300 AS SW	45,00 (*)	655	3/4" gas	3/8" gas	0,55	0,20	3.750	8.265	t.b.a.	
EVE 1500 AS	EVE 1500 AS SW	52,00 (*)	655	3/4" gas	3/8" gas	0,55	0,20	4.300	9.477	t.b.a.	
EVE 2400 AS	EVE 2400 AS SW	2 x 45,00 (*)	1030	3/4" gas	3/8" gas	0,75	0,20	7.450	16.420	t.b.a.	

*Screw compressor



Features: heavy basement frame in HIB iron, galvanized; AISI 304 Stainless steel evaporator complete of expansion valve /refrigerant level control (R404a/R22); base and cover in Peralluman; dosing water pump; dripping-pan; gear-motor with system for ice-scraper rotation; semi-hermetic /screw compressor; Liquid receiver and oil separator; Filters for suction and liquid lines; oil filters for version 1000/2400; Copper piping with valves on main components in order to ease maintenance; Air cooled condenser; Automatic electrical control panel complete of main switch, power and auxiliary contactors, voltmeter and ammeter, pressure switch (refrigerant high/low/oil), fan protections, ice-scraper protection, pump-down control. All versions are certified CE/PED.

Caractéristiques techniques: Structure portante HIB en acier galvanisé; évaporateur en acier inox AISI 304 complet de détendeur /contrôle de niveau (R404a/R22); basement et couvercle en Peralluman; pompe dosage eau/set; bassin écoulement eau; moteur qui entraîne fraise hélicoïdale acier inox; compresseur semi-hermétique/vis; réservoir de liquide et séparateur d'huile; filtres sur tuyaux aspiration et liquide; filtre huile pour modèles 1000/2400; tuyauterie en cuivre avec vanne sur les principaux composants pour simplifier l'entretien; condensateur à air; tableau électrique complet de interrupteur général, contacteurs puissance et auxiliaires, voltmètre et ampèremètre, pressostats (réfrigérant haute, basse et huile), protections ventilateurs et fraise, pump-down control. Tous les modèles sont certifiés CE/PED.

Technische Beschreibung: Trägerhäuse HIP aus verzinktem Stahl. Verdampfer aus AISI 304 Edelstahl komplett mit Expansionsventil und Kältemittelfüllstandsanzeige (R404a/R 22). Rahmen und Abdeckung aus Peralluman. Dosierpumpe für Salz /Wasser. Auffangschale. Getriebemotor mit Eisbrechereinheit. Halbhermetischer Verdichter oder Schraubenverdichter. Kältemittelsammler und Ölabscheider. Trockner in Saug- und Flüssigkeitleitung. Ölfilter für die 1000/2400 Modelle. Absperrventile in den Kupferrohrleitungen für die leichte Wartung. Luft Verflüssiger (AS). Elektromechanische Anzeige mit Hauptschalter, Leitungs- und Hilfsschutz mit Spannungs- und Ampereanzeige, Druckschalter für (Hoch/Nieder/ Öl). Schutzvorrichtung für Lüfter und Eisbrecher, Pump-down Schaltung. Alle Modelle sind zertifiziert mit CE/PED.

Características técnicas: Estructura portante HIB de acero galvanizado; evaporador de acero AISI 304 compuesto de válvula termostática/control de nivel (R404a/R22); base y tapa de Peralluman; bomba alimentadora agua/sal; bandeja desagüe; motor rotación rompe-hielo de acero inox; compresor semihermético/tornillo; reserva de líquido y separador aceite; filtros en tubería aspiración y líquido; filtro aceite para modelos 1000/2400; tubería en cobre con válvulas de parcialización en todos los componentes principales para simplificar el mantenimiento; condensador aire; cuadro eléctrico compuesto de interruptor general, contactores potencia y auxiliares, voltmetro y ampermetro, presostatos (refrigerante alta, baja y aceite), protecciones ventiladores y rompe-hielo, control pump-down. Todos los modelos están certificados CE/PED.

Caratteristiche tecniche: Struttura portante HIP in acciaio zincato; evaporatore in acciaio inox AISI 304 completo di valvola termostatica/regolatore di livello (R404a/R22); base e coperchio in Peralluman; pompa dosatrice acqua/sale; ghiotta raccogli condensa; motoriduttore per rotazione rompi ghiacchio in acciaio inox; compressore semi-ermetico/vite; ricevitore di liquido e separatore ad aria; quadro elettrico completo di interruttore generale, contattore di potenza e ausiliari, voltmetro e amperometro, pressostati (refrigerante alta, bassa e olio), protezioni ventilatori e rompi ghiaccio, controllo pump-down. Tutte le macchine sono certificate CE/PED.



Scotsman®

The one the world relies on.

Ice Systems

Certified ISO 9001:2000

<p>USA, Canada, Latin America Scotsman Ice Systems USA 775 Corporate Woods Parkway Vernon Hills, IL 60061 Ph: (847) 215-4550 Fax (847) 913-9844 customer.service@scotsman-ice.com</p>	<p>Europe Scotsman Europe-Frimont S.p.A. Via Puccini, 22 20010 Pogliano (Milano) Italy Ph: (+39) 02-93960208 Fax: (+39) 02-93960201 scotsman.europe@frimont.it</p>	<p>Asia and Pacific Scotsman Ice Systems-Frimont S.p.A. (R.O.) 627A Aljunied Road #04-04 Biztech Centre Singapore 389842 Ph: (+65) 6738 5393 Fax: (+65) 6738 1959 scotsice@singnet.com.sg</p>	<p>China Scotsman Ice Systems 258 Tong Ren Road Golden Tower 7A Shanghai-200040 Peoples' Republic of China Ph: (+86) 21-62476056 Fax: (+86) 21-62476126 scotsmansh@online.sh.cn</p>	<p>Middle East & N. Africa Scotsman Ice Systems Dubai Office P.o. Box 13205 - Deira Dubai - U.A.E. Ph: +9716-5654036 Fax +9716-5654063 scotsman@emirates.net.ae</p>	<p>South Africa Scotsman Ice Systems SA (PTY) Ltd. 10, Rhodes Street - Kensington B P.o. Box 44 - Riverclub 2149 Ph: +27-11-7898400 Fax +27-11-7898411 scotsman@telkomsa.net</p>
--	---	--	--	--	---