

Other models in this range:
 MAR 56 - MAR 76 - MAR 126
 MAR 206 - MAR 306
 Split versions:
 MAR 78 - MAR 128 - MAR 208
 MAR 308

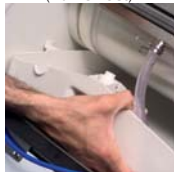
Scale Ice Maker Units up to 785 Kg



ABS Ice Chute Covercar: sold separately.



Gear box protection (hall effect)



Easy to remove water sump



Pulleys & belt system allows to modify ice thickness



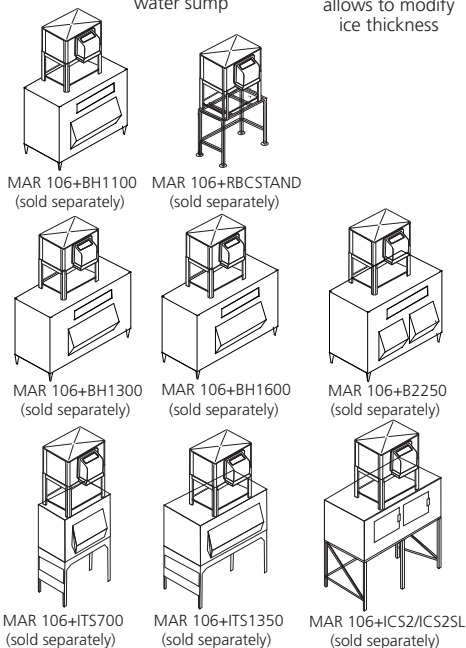
Features

- Modular scale ice machine, production up to 785 Kg in 24h (@ 1 mm. ice thickness)
- Scale ice machine, in "compact system" version; built-in unit
- Storage bin not supplied, to be purchased separately
- AISI304 Stainless steel evaporator and ice scraper blade
- Redesigned evaporator compartment end-walls: polypropilene high density with "core" metal structure, adding sturdiness and hygiene
- Foodgrade ABS plastic water sump tray, easy remove for cleaning and sanitising
- Electromechanical control panel
- Electrical protections, rotation speed & reverse phase controls
- Low- water sensor protection
- Hermetic compressor
- Choice of air or, water cooled condenser
- Drive motor / gear reducer with V-Belt drive
- Storage bin thermostatic ice level sensor
- Stainless steel panels in scotch-brite finish, with rounded corners, easy to remove for maintenance

Accessories & Optional Features (to be specified upon order):

- Ice spout cover (COVERMARS0000)
- Ice chute extension 90cm (KICMAREXT0001)
- Double ice chute 65cm (KICMARDOUBL02)
- Infrared ice sensor (replaces the thermostatic ice level control) ICE SENSOR0003
- UV lamp water sanitising system for bacterial control (KITUVLAMPMARO)
- ON/OFF manual switch, with daily timer (KITTIMER0001)
- ON/OFF manual switch, with weekly programmable timer (KITTIMERSET01)

MAR 106 Technologies



	 +°C -°C	 24h THICK ICE	 THIN ICE	 NOMINAL ONLY		 W D H [WxDxH mm] 906x813x1125 [WxDxH inches] 35 11/16 x 32 x 44 5/8
				10°C 50°F	10°C 50°F	
				[kg] [lbs]	[kg] [lbs]	
MAR106 AS		700 1543	785 1731	1015 2238		
MAR106 WS		700 1543	785 1731	1015 2238		
MAR106 WS-SW		700 1543	785 1731	1015 2238		



Ice scales are the coldest form of ice. Formed at -6° to -12°Celsius, they are very dry, containing less than 2% residual water. Scales look like fragments of glass, have an irregular shape and a thickness that can be adjusted at 1 or 2 mm.

Humidity 2%

This product qualifies for the following listings:



2 Years Warranty

Subject to certain limitations and exclusions

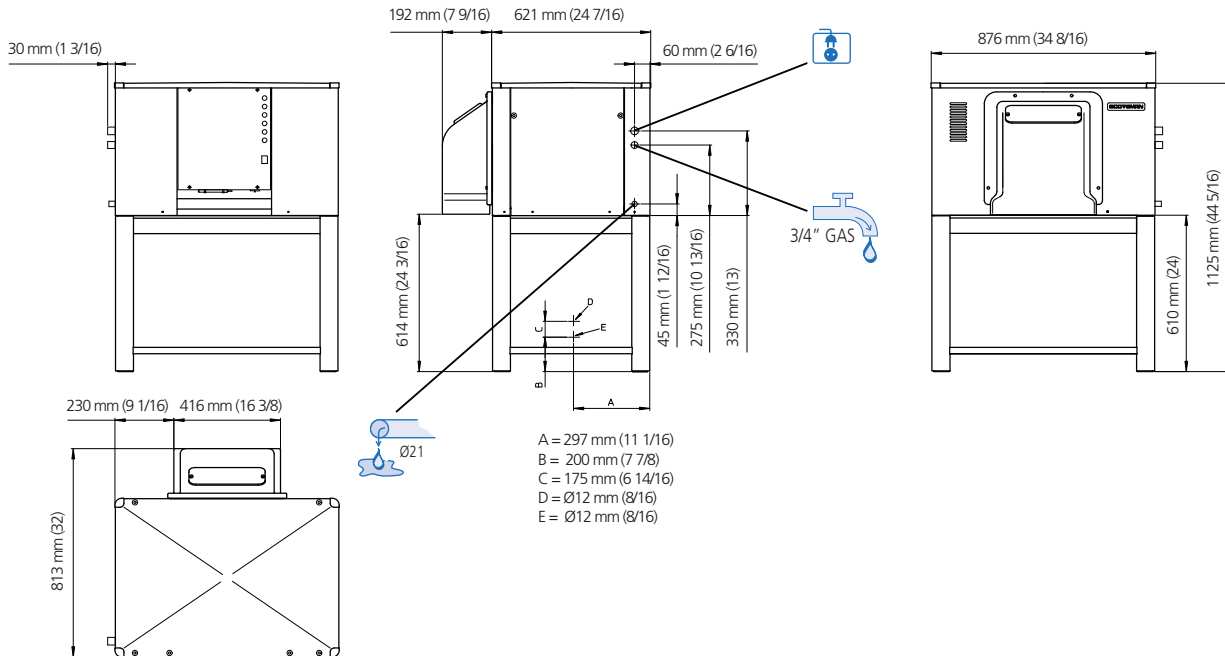
Certified ISO 9001:2000

www.scotsman-ice.it
www.scotsman-ice.com

Models and specifications are subject to change without notice.

Other models in this range:
 MAR 56 - MAR 76 - MAR 126
 MAR 206 - MAR 306
 Split versions:
 MAR 78 - MAR 128 - MAR 208
 MAR 308

Scale Ice Maker Units up to 785 Kg



MAR 106 AS

°C \ °F	50°		60°		70°		90°	
	10°	15°	21°	32°	kg	lbs	kg	lbs
10°	700	680	660	620	kg			
50°	1543	1499	1455	1367	lbs			
21°	650	630	610	570	kg			
70°	1433	1389	1345	1257	lbs			
32°	620	600	580	540	kg			
90°	1367	1323	1279	1190	lbs			
38°	560	540	520	480	kg			
100	1235	1190	1146	1058	lbs			



WITH THICK ICE SETTINGS

MAR 106 WS-SW

°C \ °F	50°		60°		70°		90°	
	10°	15°	21°	32°	kg	lbs	kg	lbs
10°	700	680	660	620	kg			
50°	1543	1499	1455	1367	lbs			



WITH THICK ICE SETTINGS



Minimum

10°C (50°F)



Maximum

40°C (104°F)

5°C (41°F)

35°C (95°F)

-10%

+10%

1 BAR
14 psi

5 BAR
70 psi

Model	Compressor	Standard TE (T cond.+54,5°C - T evap.-23,3°C)	Capacity [W] [Btu/h]	Ice Output [Ø mm²] [AWG]	Power [W]	FUSE	Energy [kWh] - 100 Kg	Water [l/h] [gal/h]	Weight [kg] [lbs]	Dimensions [kg] [lbs]
MAR 106 AS	+		4360 14860	5x1,5 AWG15	3500	16 A	14,5	24 6,3	204 450	221 487
MAR 106 WS	≡		4360 14860	5x1,5 AWG15	3500	16 A	12,7	600 158,5	200 441	217 478
MAR 106 WS-SW*	≡		4360 14860	5x1,5 AWG15	3500	16 A	12,7	600 158,5	200 441	217 478

*SW seawater version: made of AISI stainless steel with antispash; without heat exchanger, solenoid valve, KVP valve and electrical panel.

CONTACT POINTS:

Europe
 Scotsman Europe-Frimont S.p.A.
 Via Puccini, 22
 20010 Pogliano (Milano) Italy
 Ph: (+39) 02-93960208
 Fax: (+39) 02-93960201
 scotsman.europe@frimont.it

Asia and Pacific
 Scotsman Ice Systems-Frimont S.p.A. (R.O.)
 627A Aljunied Road-#04-04 Biztech Centre
 Singapore 389842
 Ph: (+65) 6738 5393
 Fax: (+65) 6738 1959
 scotsice@singnet.com.sg

China
 Scotsman Ice Systems (Shanghai)
 Room 2503, Building 2
 20 Xuhong Middle Road, Xuhui District
 Shanghai China 200235
 Main line: (+86) 21 61313200
 Fax: (+86) 21 61313330
 scotsman.shanghai@scotsman-china.com

Middle East & N. Africa
 Scotsman Ice Systems Dubai Office
 P.o. Box 21648
 Sharjah - U.A.E.
 Ph: (+97) 16-5773-164
 Fax (+97) 16-5773-165
 scotsman@eim.ae

South Africa
 Scotsman Ice Systems SA (PTY) Ltd.
 10, Rhodes Street - Kensington B
 P.o. Box 44 - Riverclub 2149
 Ph: (+27) 11-7898400
 Fax (+27) 11-7898411
 scotsman@telkomsa.net

USA, Canada, Latin America
 Scotsman Ice Systems USA
 775 Corporate Woods Parkway
 Vernon Hills, IL 60061
 Ph: (+1) 847 215-4550
 Fax (+1) 847 913-9844
 customer.service@scotsman-ice.com